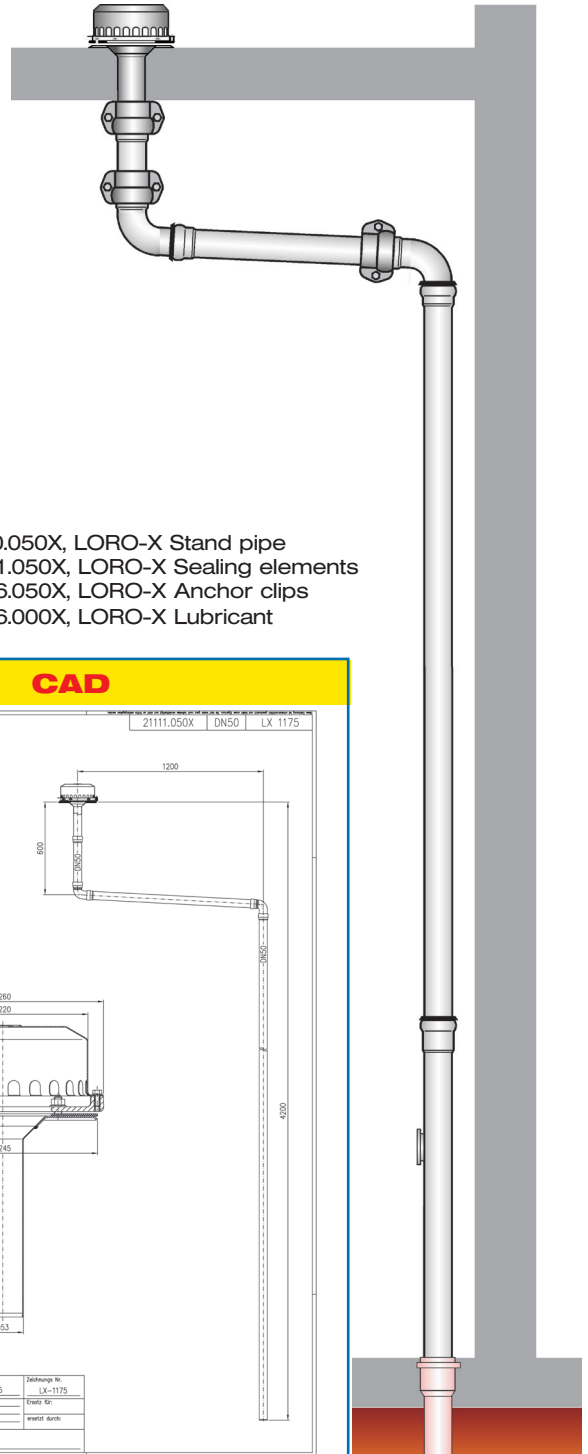


**Specification sheet LX 1175**

**Roof drainage systems  
DRAINJET® Series 49 (DJ)**

<b>Main Drainage</b>	
<b>Siphonic flow</b>	
<b>Silent Power</b>	
<b>Discharge rate:</b>	<b>9,0 l/sec</b>
<b>Water height:</b>	<b>55 mm</b>
<b>Roof penetration:</b>	<b>-</b>
<b>Diameter:</b>	<b>DN 50</b>
<b>LX-Number:</b>	<b>LX 1175</b>
<b>Weir height:</b>	<b>0 mm</b>
<b>Drain:</b>	<b>not ventilated</b>
<b>Downpipe:</b>	<b>not ventilated</b>
<b>Downpipe height:</b>	<b>min 4,2 m</b>
<b>Drainage:</b>	<b>in sewer</b>

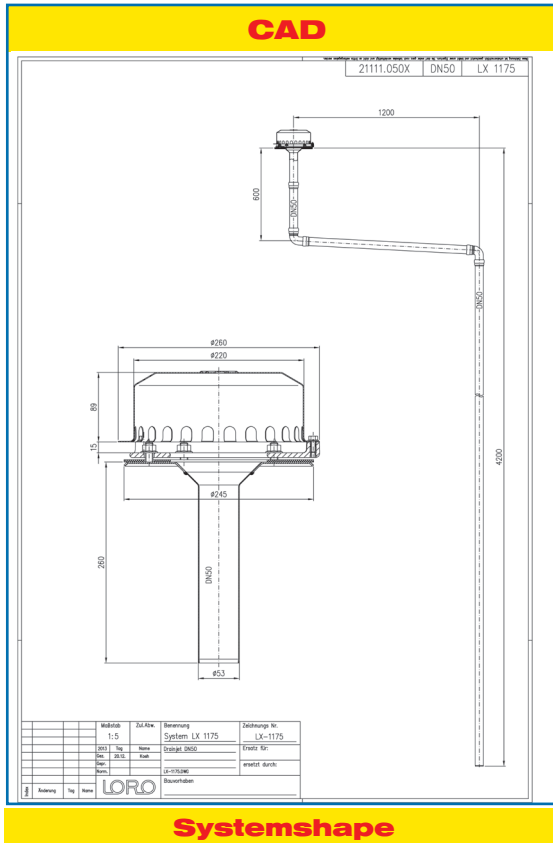
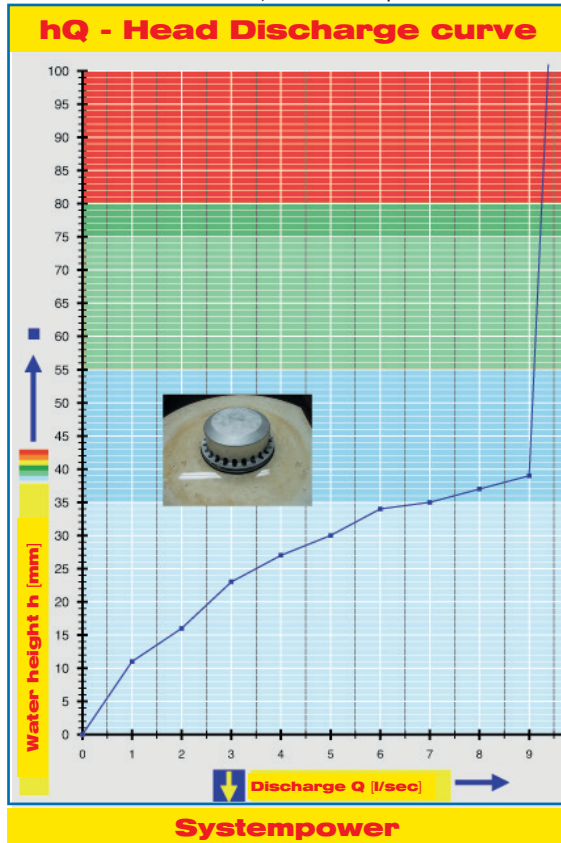


**LX 1175 Piece list**

**1 x Art.-No. choose drain on page two!**

- 1 x Art.-No. 01401.050X, LORO-X Pipe with one socket
- 2 x Art.-No. 00350.050X, LORO-X Bend
- 1 x Art.-No. 01201.050X, LORO-X Pipe with one socket
- 1 x Art.-No. 01004.050X, LORO-X Pipe with one socket

- 1 x Art.-No. 05510.050X, LORO-X Stand pipe
- 6 x Art.-No. 00911.050X, LORO-X Sealing elements
- 3 x Art.-No. 00806.050X, LORO-X Anchor clips
- 1 x Art.-No. 00986.000X, LORO-X Lubricant



<b>Water height</b>	mm	5	10	15	20	25	30	35	40	45	50	<b>55</b>	60	65	70	75
<b>Discharge</b>	l/sec	0,4	0,9	1,8	2,6	3,5	5,0	7,0	9,0	9,0	9,0	<b>9,0</b>				
<b>Silent Power</b>																

Choose drain for piece list on page one!

DN 50

without insulation

**LX1175-5X**

Drain Art.-No. 21111.050X

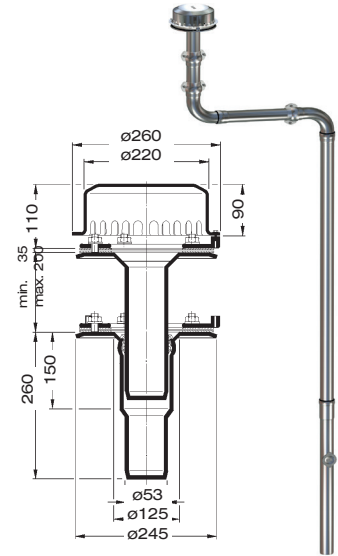
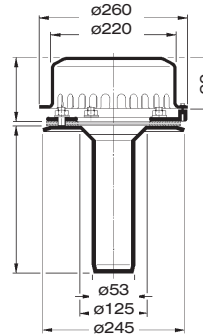
with clamping flange  
one-piece



**LX1175-6X**

Drain Art.-No. 21121.050X

with clamping flange  
two-piece



with insulation

**LX1175-7X**

Drain Art.-No. 21112.050X

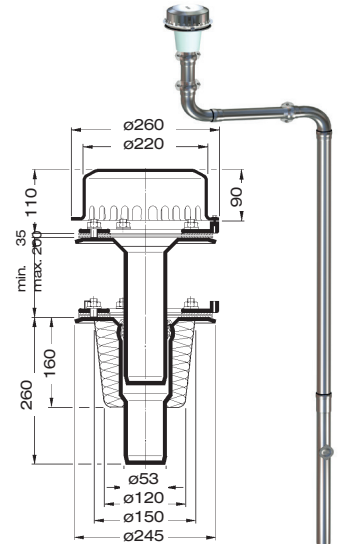
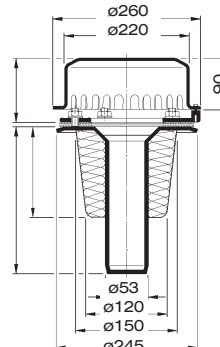
with clamping flange  
one-piece



**LX1175-8X**

Drain Art.-No. 21122.050X

with clamping flange  
two-piece



with insulation and heating

**LX1175-9X**

Drain Art.-No. 21113.050X

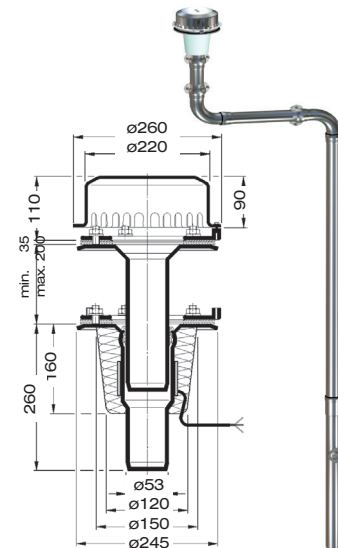
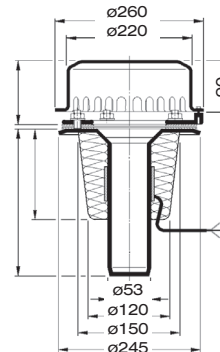
with clamping flange  
one-piece



**LX1175-10X**

Drain Art.-No. 21123.050X

with clamping flange  
two-piece



**Heat tracing:** Lorowerk recommends to check all drains and pipes with regard to their frost-sensibility. Where necessary, these parts should be upgraded with heat tracing.